



Andela

AGB-06HD

AGB-06 HD Glass Crusher

5 TPH

Efficient Size Reduction

Flexible Impact Hammers

Product Destruction

Glass Cullet Processing

Commingled Container Processing & Separation

Model:

AGB-06: 5 TPH

*Reduces waste and
Provides a cost-effective remedy
for environmentally conscious
communities*

ANDELA PRODUCTS

493 State Route 28
Richfield Springs, NY 13439

Phone: (315) 858-0055

www.andelaproducts.com
info@andelaproducts.com



- The Andela AGB-06HD Glass Crusher is used for glass cullet production or to efficiently reduce and separate mixed glass from a commingled mix of glass, plastic and aluminum.
- The flexible impact hammers will liberate and crush glass, ceramics and other breakable materials.
- Specifically designed, engineered, and outfitted with select abrasion resistant materials to endure the rigors of glass processing.
- Also available as a system
(See Systems Page)

- **Simple to operate and maintain**
- **Low power requirements for significant size reduction**
- **Will process a mix of glass and other materials — selective size reduction**
- **Big machine features with a small machine price**
- **Heavy duty construction**



www.andelaproducts.com

ANDELA BREAKER MODEL AGB-06HD

The Andela Breaker is ideally suited to many applications because of its durability, flexibility, and design. This equipment is unique in its ability to successfully process a broad range of items using a technology that selectively reduces certain material while leaving others whole.

MACHINE SPECIFICATIONS

Dimensions

Overall Length	62"
Overall Width	77"
Overall Height	Variable
Input Opening	36" x 24"
Frame Construction	Welded Steel with 1/4" to 3/4" Thick Abrasion Resistant Replaceable Bolt In Steel Liner Plates Heavy Duty Frame with Vibration Isolation (4) Mechanical Spring Isolators

Drive Componentry

Motor Size	(1) 7.5 hp
Solid Steel Shaft Diameter	2-1/2"
Number of Hammers	12
Hammer Type	Heavy Duty Flailing Arm of Through Hardened Steel
Bearing Size	2-1/2"

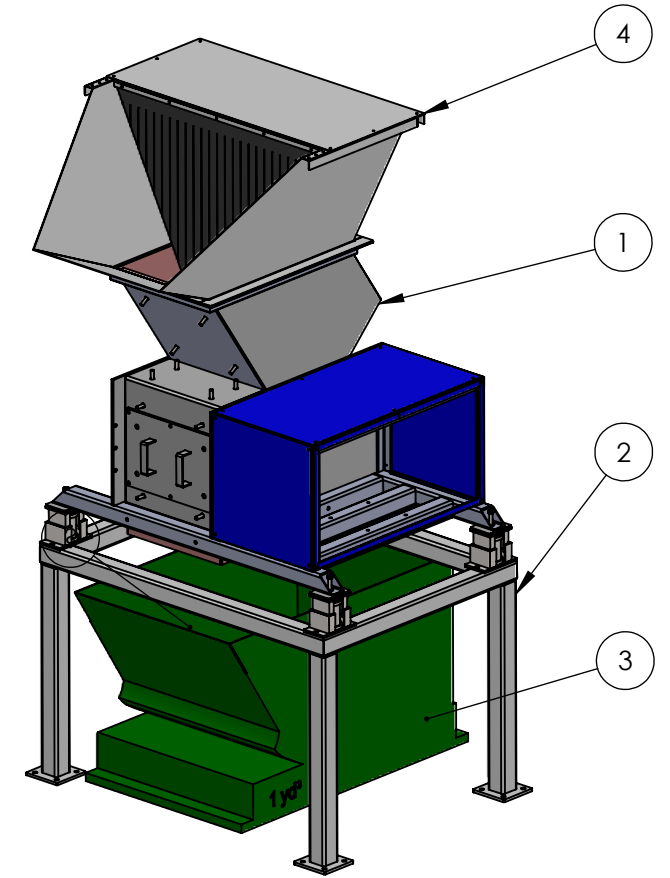
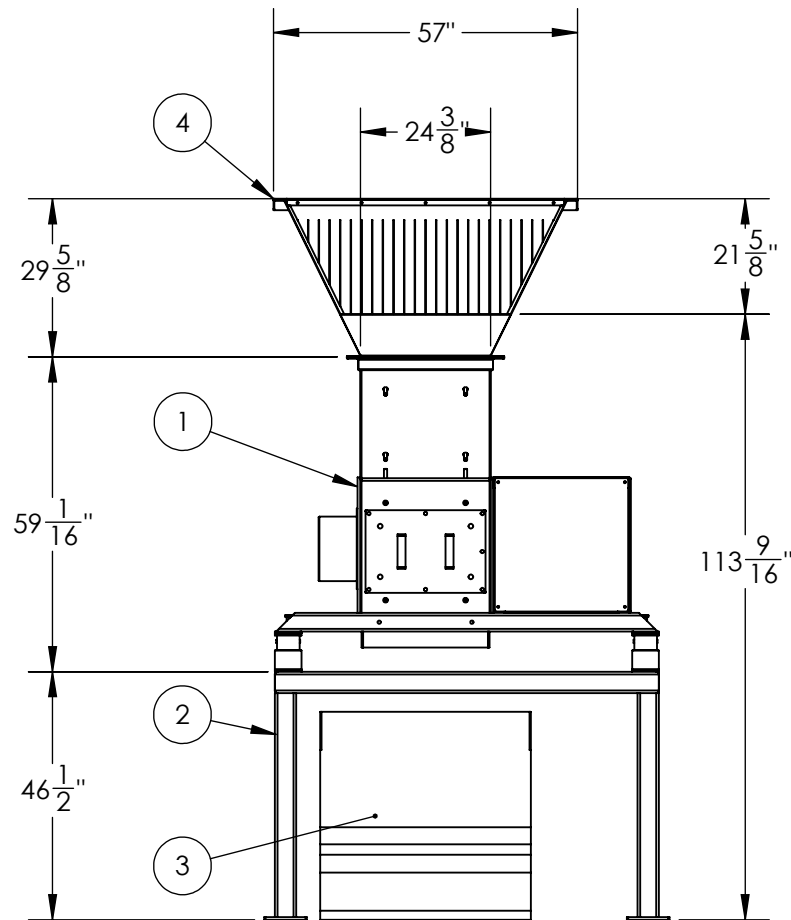
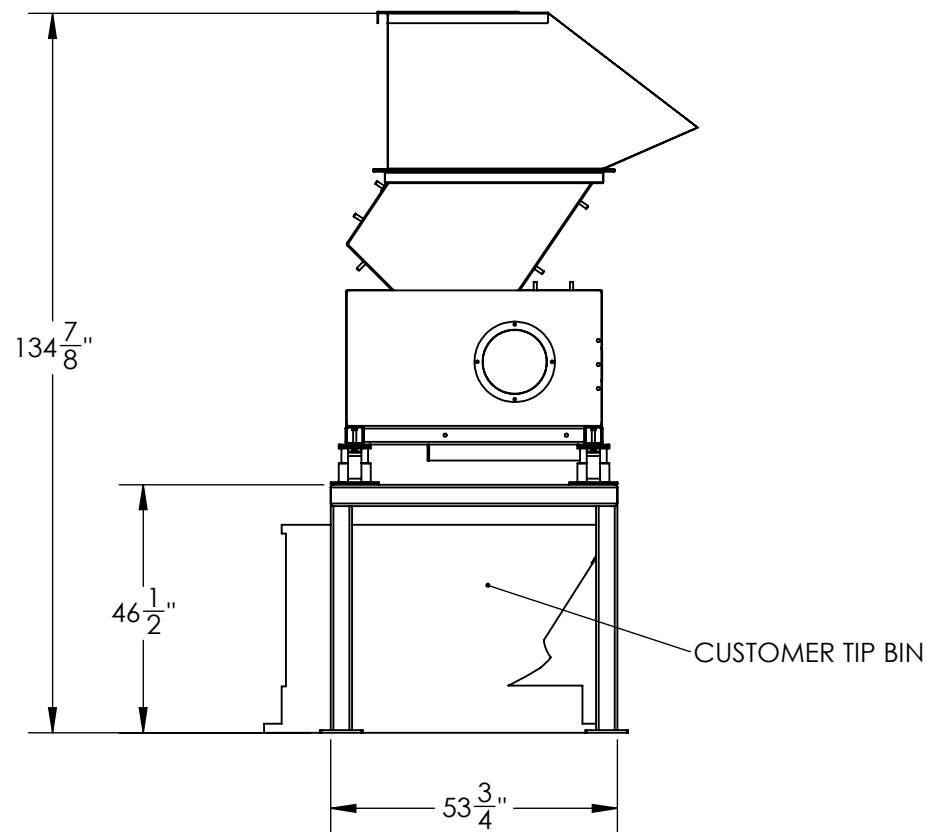
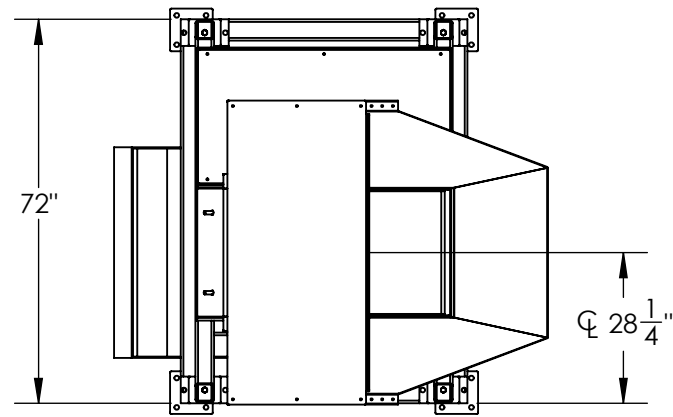
Safety and Maintenance Features

Protective Guards	Cover Input Drive Unit and Bearings
Access Door	Removable Panels for Hammer and Liner Maintenance

Electrical

Motor Voltage	230/460VAC, 60 HZ, 3 Phase (or to customer specifications)
---------------------	---

The manufacturer reserves the right to change designs and specifications without notice.



AGB6 SYSTEM LAYOUT			
ITEM NO.	PART-ITEM NO.	DESCRIPTION	QTY.
1	AGB6 BREAKER	GLASS BREAKER	1
2	TF-AGB6-ST-SF	AGB6 STAND	1
3	TIP BIN	CUSTOMER PROVIDED TIP BIN	1
4	TF-IHC	INFEED HOPPER W/ ADJ. COVER	1



493 State Route 28
Richfield Springs, NY 13439
Tel: 315-858-0055
andelaproducts.com

DRAWN BY:
MB
MODELED BY:
MB
DATE:
2/15/2023
CHECKED BY:
SCALE:
1:36

AGB6
GLASS BREAKING SYSTEM LAYOUT -
REVISION B

ANDELA PRODUCTS

REVISION	DATE	FILE NO

ALL EQUIPMENT PAINTED RAL-5015 SKY BLUE, ALL GUARDS AND RAILINGS PAINTED RAL-1023 TRAFFIC YELLOW, AND ALL PLATFORMS PAINTED RAL-9017 TRAFFIC BLACK, UNLESS OTHERWISE NOTED.

AGB6 SYS

SHEET 1 OF 1