



Andela

TWIN BARREL

Andela GP-1HD Glass Pulverizer

Model:
GP-1HD: 10 TPH

**Designed for High
Capacity Applications**

**Flexible Impact
Hammers**

*Reduces waste
Provides a cost effective remedy
for environmentally conscious
communities*

ANDELA PRODUCTS

493 State Route 28
Richfield Springs, NY 13439

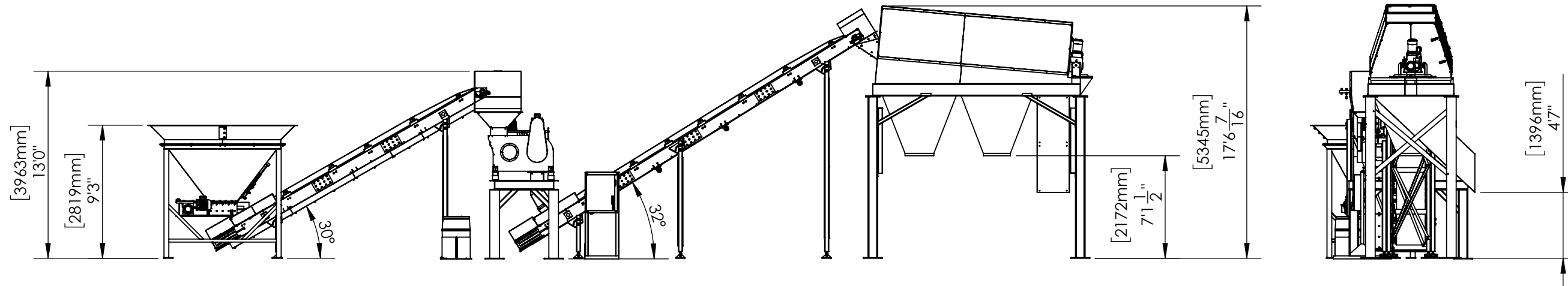
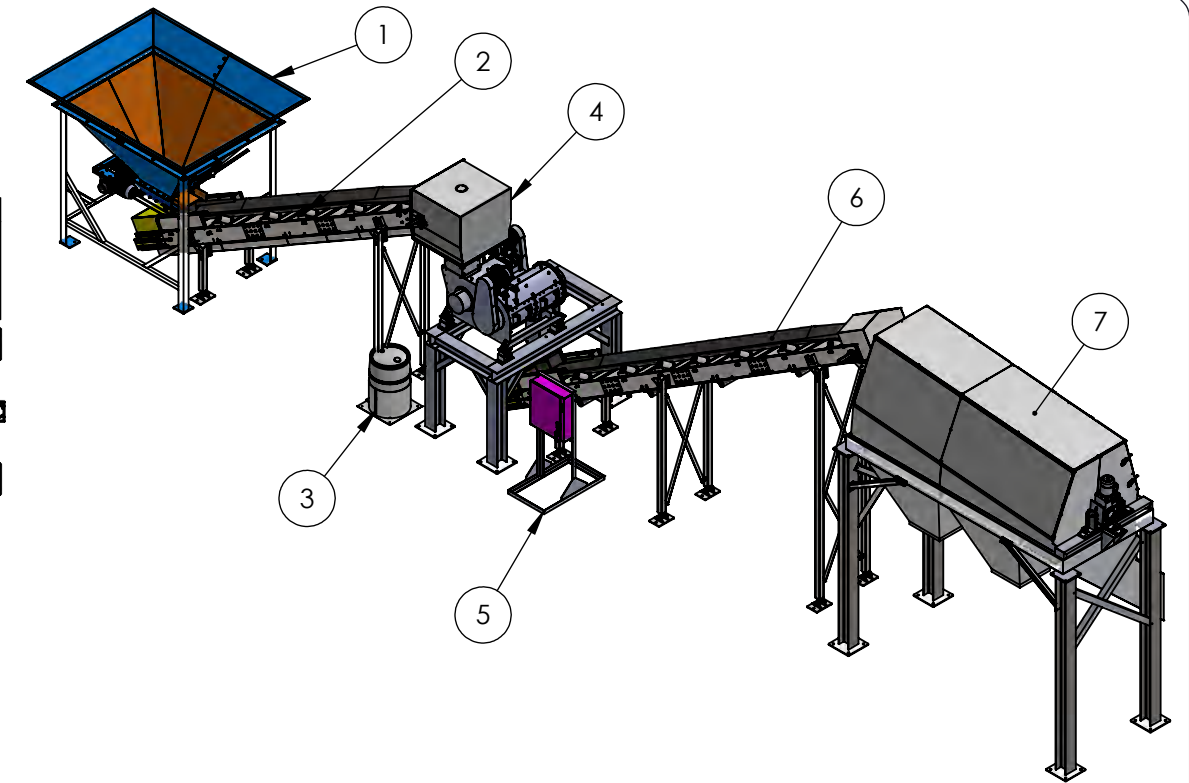
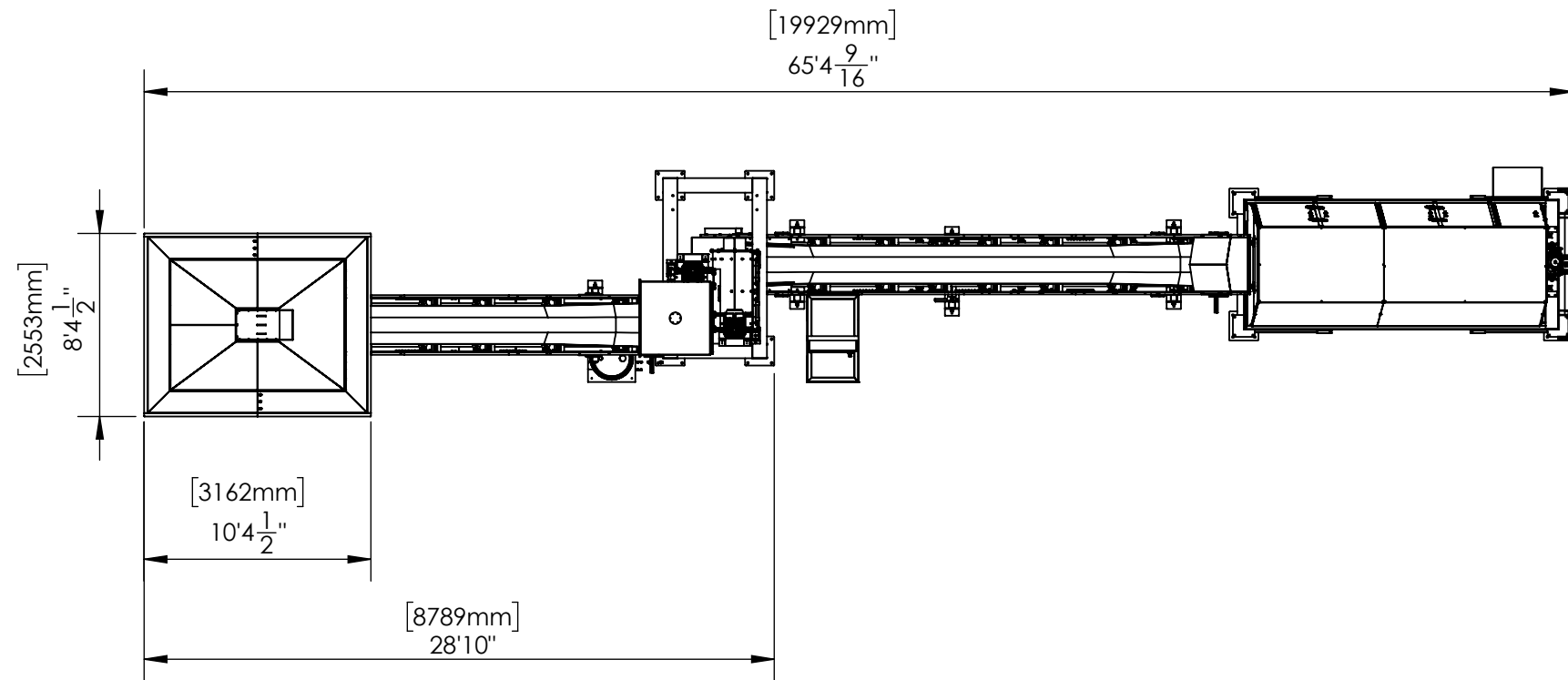
Phone: (315) 858-0055

www.andelaproducts.com
info@andelaproducts.com



- Selective size reduction produces a glass sand and glass aggregate while leaving non glass residue in-tact for ease of separation
- Machine design features access doors with bolt in replacement liners and hammers for hassle free maintenance and service
- Generates safe handling glass product with no sharp edges suitable for a variety of applications

- Quiet Operation
- Simple to Operate and Maintain
- Low Horsepower
- Reasonably Priced
- Durable
- Bolt in Liners and Hammers for Easy Maintenance.
- Processes whole glass bottles and/or MRF glass



GP1-HD & ATROM104 SYSTEM			
ITEM #	DESCRIPTION	HP	QTY.
1	AMSH86-18 SURGE HOPPER	3 HP	1
2	22' X 24" CONVEYOR	3 HP	1
3	OPTIONAL MISTING SYSTEM	1/15 HP	1
4	GP1-HD PULVERIZER	2 @ 10 HP	1
5	CONTROL PANEL	N/A	1
6	28' X 24" CONVEYOR	3 HP	1
7	104 TROMMEL	5 HP	1



493 State Route 28
Richfield Springs, NY 13439
Tel: 315-858-0055
andelaproducts.com

DRAWN JEA
DATE 5/19/2021
CHECKED
DATE
SCALE 1:96

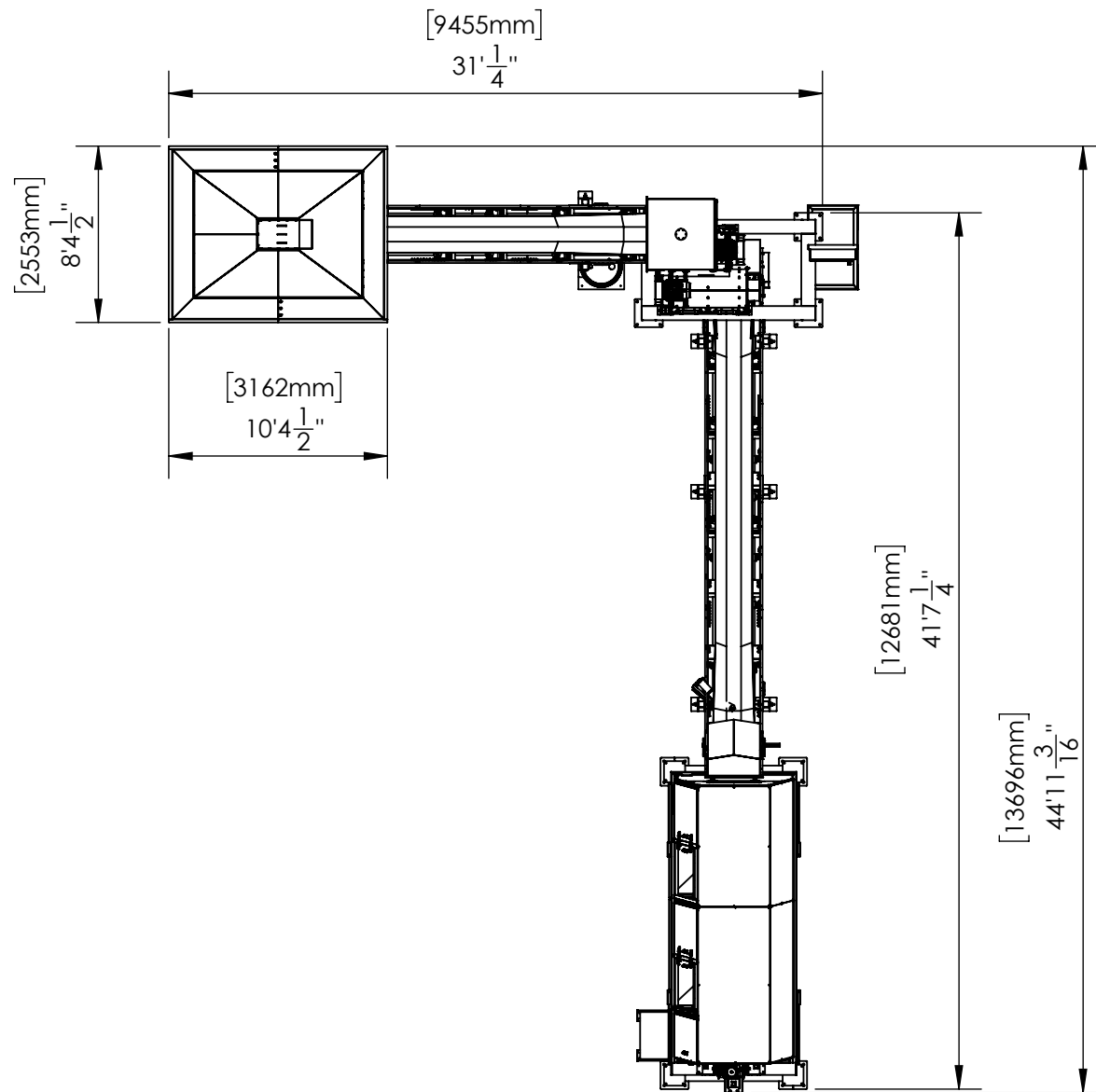
GP1 SYSTEM
GP1 - ATROM104 SYSTEM

ANDELA PRODUCTS

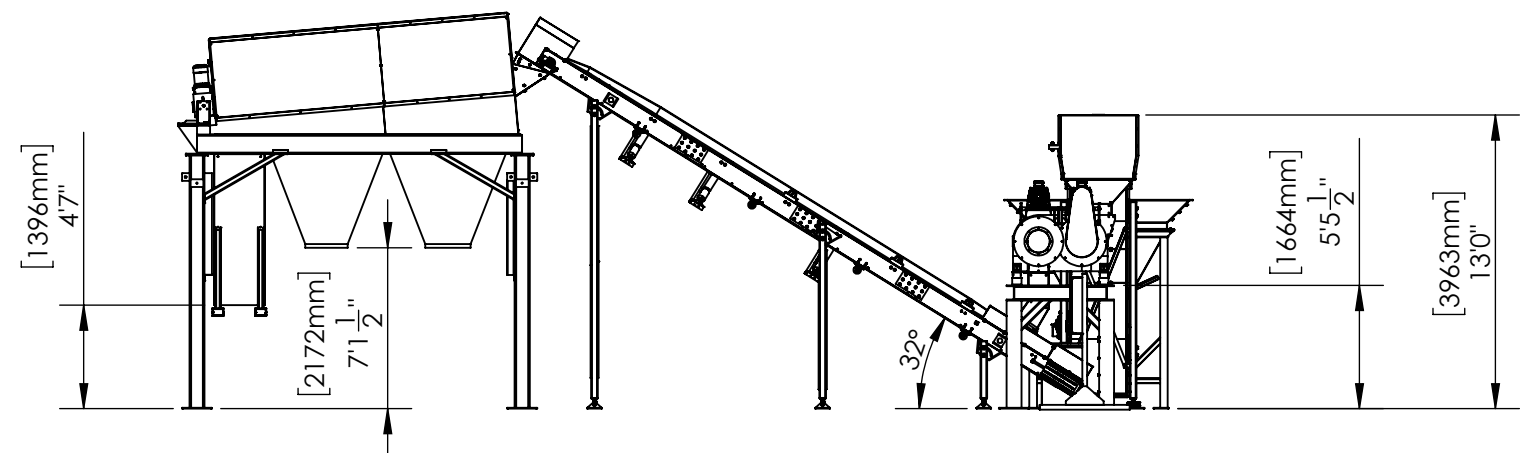
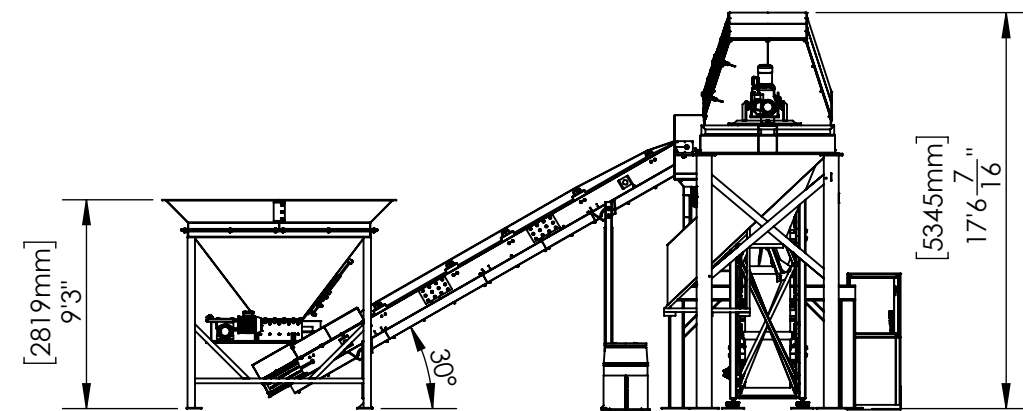
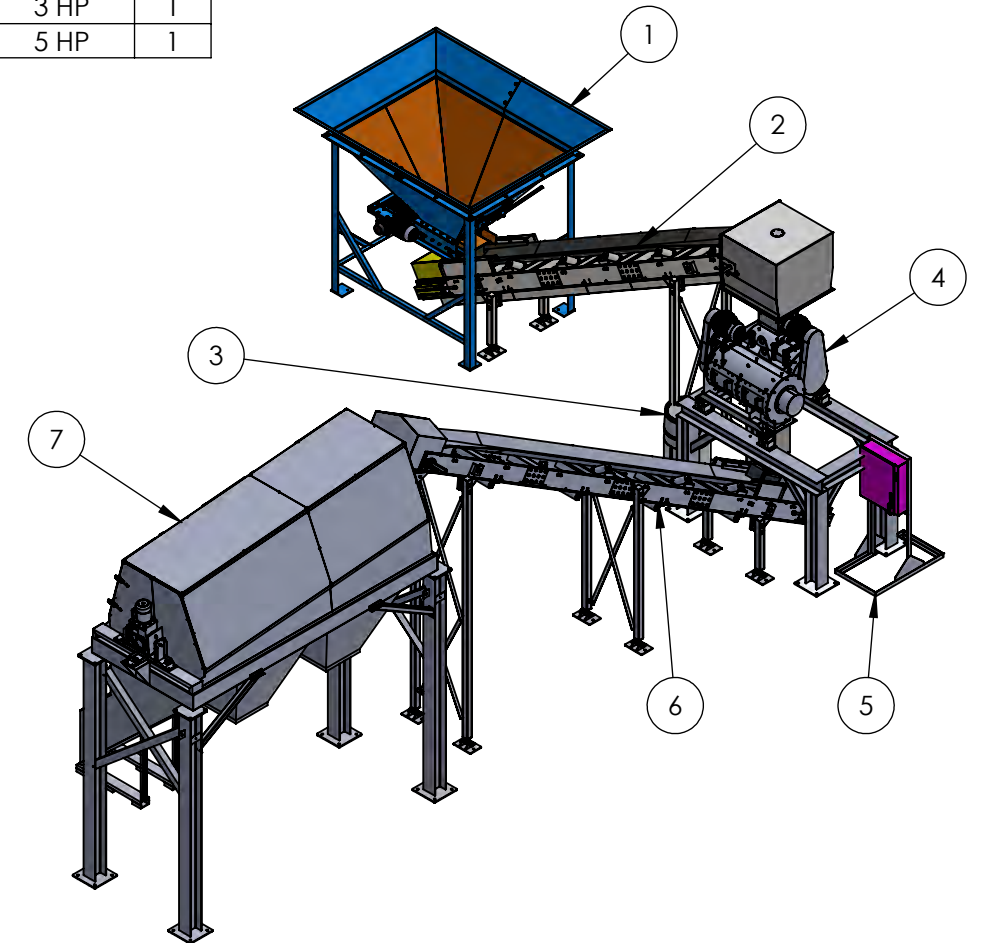
REVISION	DATE	FILE NO

GP1-104

SHEET 1 OF 1



GP1-HD & ATROM104 SYSTEM			
ITEM #	DESCRIPTION	HP	QTY.
1	AMSH86-18 SURGE HOPPER	3 HP	1
2	22' X 24" CONVEYOR	3 HP	1
3	OPTIONAL MISTING SYSTEM	1/15 HP	1
4	GP1-HD PULVERIZER	2 @ 10 HP	1
5	CONTROL PANEL	N/A	1
6	28' X 24" CONVEYOR	3 HP	1
7	104 TROMMEL	5 HP	1



493 State Route 28
Richfield Springs, NY 13439
Tel: 315-858-0055
andelaproducts.com

DRAWN JEA
DATE 5/19/2021
CHECKED
DATE
SCALE 1:102

GP1 SYSTEM
GP1 - ATROM104 SYSTEM

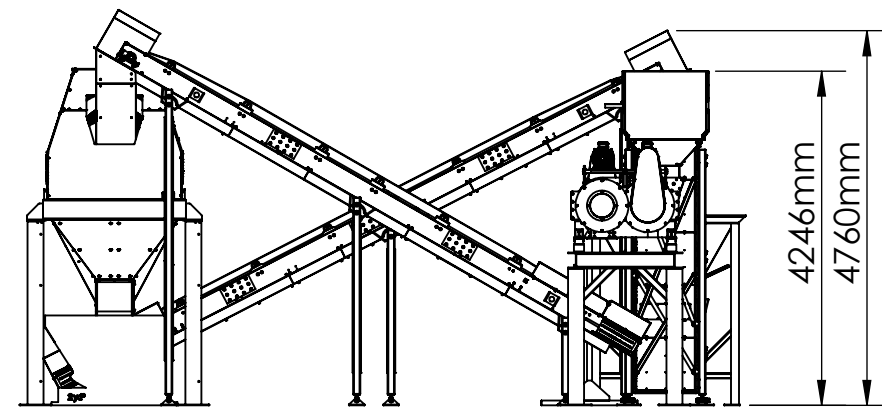
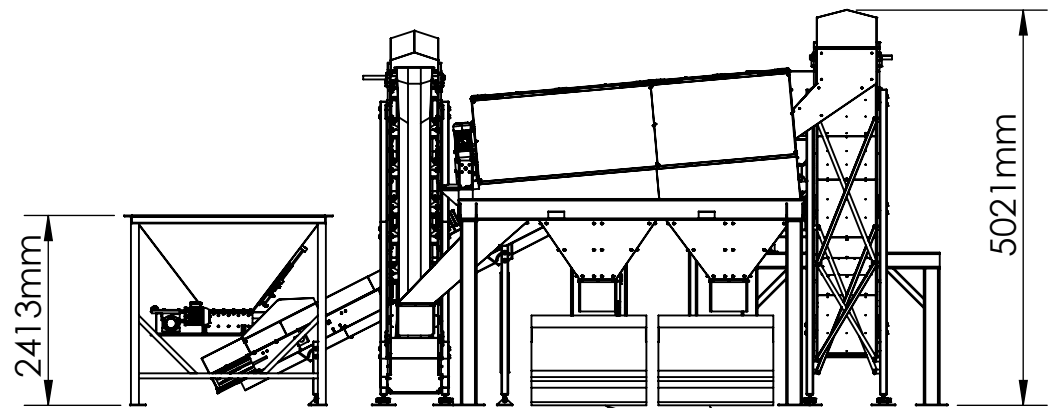
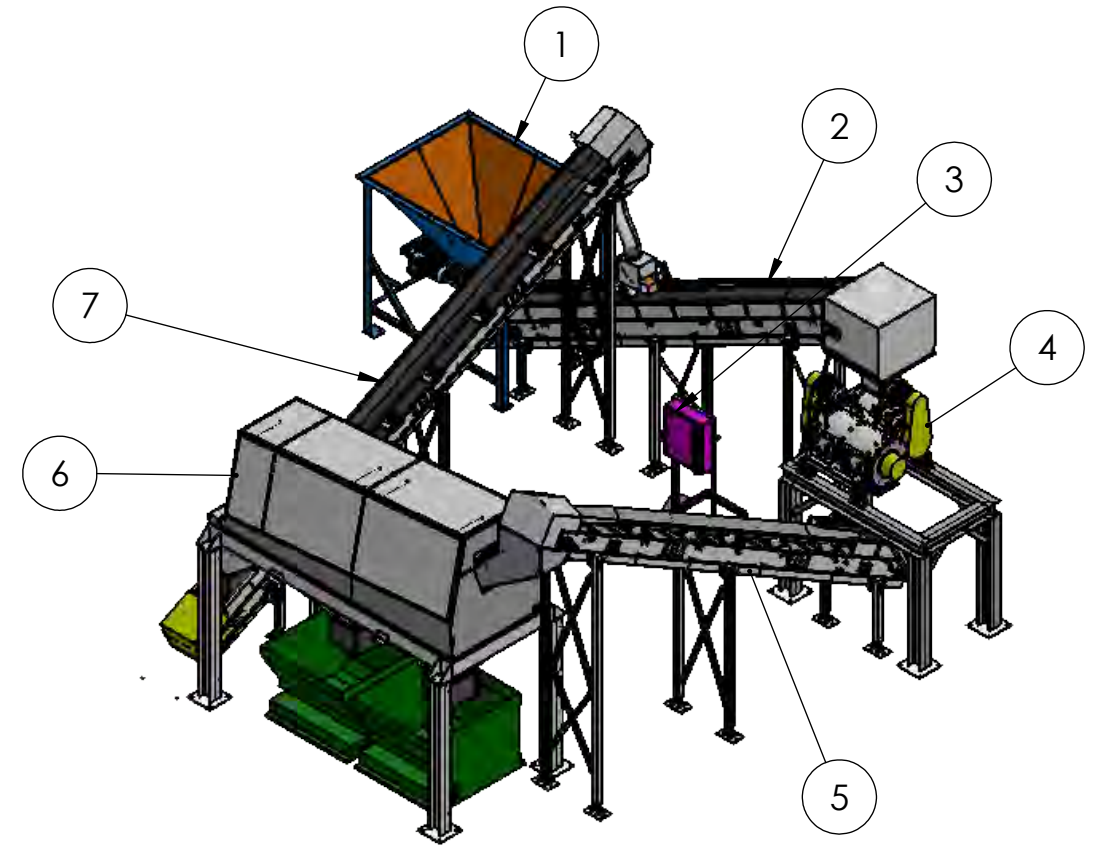
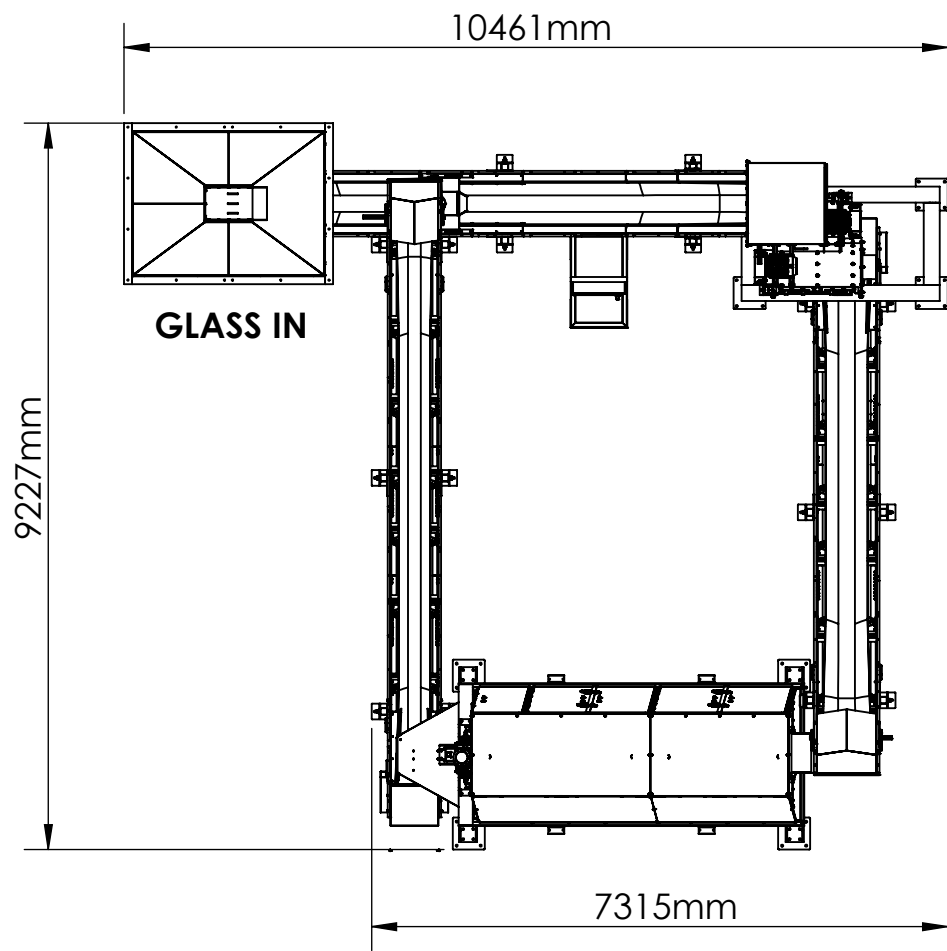
ANDELA PRODUCTS

REVISION	DATE

FILE NO

GP1-104

SHEET 1 OF 1



**12 MESH MATERIAL
(~1mm minus)**

GP1-ATROM104 RECIRCULATION SYSTEM			
ITEM NO.	ITEM	DESCRIPTION	H.P.
1	AMSH86-18	METERING SURGE HOPPER	3 H.P.
2	24" X 30' CONV	PULVERIZER FEED CONVEYOR	3 H.P.
3	CONTROL PANEL	CONTROL PANEL	N/A
4	GP-1HD	GP-1HD PULVERIZER	2 @ 10 H.P.
5	24" X 24' CONV	TROMMEL FEED CONVEYOR	3 H.P.
6	ATROM104	104 TROMMEL	5 H.P.
7	18" X 28' CONV	RECIRCULATION CONVEYOR	3 H.P.



493 State Route 28
Richfield Springs, NY 13439
Tel: 315-858-0055
andelaproducts.com

DRAWN BY:
JEA
MODELED BY:
JEA
DATE:
10/19/2022
CHECKED BY:
SCALE:
1:96

GP1HD-104
GP-1HD W/ ATROM104 RECIRC SYSTEM

ANDELA PRODUCTS

REVISION	DATE	FILE NO

GP1HD-104
SHEET 1 OF 1

ANDELA GLASS PULVERIZER
MODEL GP-1HD
(10 tons/hr capacity)

MACHINE SPECIFICATIONS

Dimensions

Overall Length	Approx. 64”
Overall Width	Approx. 65”
Machine Input Opening	14” x 14”
Input Chamber Diameter and Length	20” x 34”
Output Chamber Diameter and Length	20” x 44”
Chamber Type	Steel Frame & Heavy Duty Support Stand
Liners	Bolt-in Heavy Duty Abrasion Resistant Steel
Heavy Duty Frame with Spring Action Vibration Mounts	Five (5) Mounts

Drive Componentry

Motor Size	Two (2) 10 hp TEFC
Solid Steel Shaft Diameter	2.5” Dia.
Number of Hammers	44
Hammer Type	Flexible Impactor/Hardened Steel
Bearing Size	2.5” Dia. Heavy Duty
Seal Protection	Two (2) Seals at Each Shaft Bearing

Safety & Maintenance Features

Protective Guards	Cover Input Hopper, Drive Unit and Bearings
Maintenance Access Door	Chamber Inspection
Dust Control Misting System	Pump with Adjustable Spray Nozzle

Electrical

Motor Voltage	230/460 VAC, 60 HZ, 3 phase
---------------------	-----------------------------

The manufacturer reserves the right to change designs
and specifications without notice.



Andela

Hoppers

Surge Hopper

**Evenly Distributes
Material**

**Essential for Bulk
Loading**

Models:

AMSH86-18

AMSH86-24

Environmentally friendly

Reduces waste

*Provides cost effective remedy
for environmentally conscious
communities*

ANDELA PRODUCTS

493 State Route 28
Richfield Springs, NY 13439

Phone: (315) 858-0055

www.andelaproducts.com
info@andelaproducts.com



- The Andela Metering Surge Hopper is designed to accept bulk loading of glass or other materials
- Holds 4 cubic yards, or up to 6 cubic yards with optional flared extensions (shown in picture)
- Reciprocating plate feeder meters the flow rate of material into the system
- Adjustable slide gate regulates whole, or mixed broken glass to desired throughput

- Simple to Operate & Maintain
- Easy Installation
- Reasonably Priced
- Heavy Duty Construction
- 18" or 24" wide Discharge
- Abrasion Resistant Materials on All Wear Surfaces

ANDELA METERING SURGE HOPPER
MODEL AMSH86-18

MACHINE SPECIFICATIONS

Dimensions

Capacity..... 4 cubic yds.
Overall Length 105”
Overall Width 81”
Overall Height 95”
Discharge Opening 18” wide x Adjustable Height
Discharge Height 40”

Drive Componentry

Motor Size (1) 3 hp
Direct Drive System Totally Enclosed Gear Reducer
..... Reciprocating Plate with Eccentric Drive

Electrical

Motor Voltage 230/460 VAC, 60 HZ, 3 Phase
Controls Push Button Start/Stop

Selected surfaces lined with abrasion resistant steel for long wear and durability.
Hopper completely lined with abrasion resistant steel for long wear and durability.

The manufacturer reserves the right to change designs
and specifications without notice.



Andela

Conveyors

Belt Width Options:
18", 24", 30" & 36"

Variable Lengths, Bed
Types, & Pans Available.

Stainless Steel Sections
for Crossbelt Magnets

Conveyor Types:
Slider Bed
Troughing Roll

Belt Tread Type:
Cleated belt
Smooth belt
Chevron belt



ANDELA PRODUCTS

493 State Route 28
Richfield Springs, NY 13439

Phone: (315) 858-0055

www.andelaproducts.com
info@andelaproducts.com

- Andela Conveyors are available in various sizes and configurations to fit any application
- Remote grease fittings and lines extend to base of conveyor for ease of maintenance

- **Increases Production**
- **Less Handling of Material**
- **Heavy Duty Construction**

ANDELA SYSTEM CONVEYORS
MACHINE SPECIFICATIONS

Heavy Duty – Troughing

Overall Length/Width	According to Quotation
Drive System	3-phase motor and gear reducer, direct drive
Conveyor Body	10” x 3/16” formed steel channels
Carry Surface:	Troughing Roller
Belt	Smooth, chevron or cleared rubber belt
Head Pulley	10” head pulley
Tail Pulley	10” self cleaning tail pulley
Take Up	Adjustable Side Mounted bearings with 1 15/16” bore.
Returns	Return rolls with smooth and chevron belts Belly pans with wear resistant glides for cleated belt
Hopper/Sides/	Formed 10 gauge painted steel

The manufacturer reserves the right to change designs
and specifications without notice.



Andela

Trommel

Trommel Screener

30" & 48" diameters

6ft–15ft long

1.5 HP–7.5 HP

3 material separations

1 or 2 aggregate sizes

1 oversize / residual

Various Applications

Glass

Compost

Plastics

Rubber

Gravel

Mixed Material

ANDELA PRODUCTS

493 State Route 28
Richfield Springs, NY 13439

Phone: (315) 858-0055

www.andelaproducts.com
info@andelaproducts.com



The Andela Trommel Screen Separator is designed to separate and size aggregate using woven wire mesh or perforated plate.

Our trommels feature direct drive systems flexibly mounted with totally enclosed gear reducers for long lasting performance.

Comes equipped with rotating brushes for cleaning the screens.

Customizable chutes build to customer specification.

- Simple to operate and maintain
- Easy Installation
- Reasonably priced
- Durable
- Totally enclosed with easy access doors
- Single frame construction

ANDELA TROMMEL SEPARATOR
MODEL ATROM-104

MACHINE SPECIFICATIONS

Screen Sizes

Screen Size7/16” screen opening or to specification
.....48” OD x 5’ long
.....3/16” screen opening or to specification
.....48” OD x 5’ long

Categories of Separation

3/16” minus– glass sand (or to specification)
7/16 - 3/16” – glass aggregate (or to specification)
7/16” plus – Overs - Residue

Features

Overall LengthApprox. 16 ft
Overall WidthApprox. 6 ft
EnclosureComplete Sheet Metal Enclosure
.....Hinged Service Door for Screen & Brushes
Screen Barrel Diameter and Length 48” x 11ft
Screen TypeStainless Steel Woven Wire
Rotating Brushes(2) - 7” diameter
Maintenance FeaturesCentral lubrication Block, External Mount

Drive Componentry

Motor Size(1) 5 hp
Direct Drive System Totally Enclosed Gear Reducer
.....Flexible Mount

Electrical

Motor Voltage 230/460 VAC, 60 HZ, 3 Phase

The manufacturer reserves the right to change designs
and specifications without notice.

Electrical Control Panel

Enclosures - Enclosures are rated per the environment and are NEMA 4 or better. All enclosures are supplied with an emergency stop.

Main Disconnect - The main disconnect is provided with fuses or a circuit breaker and has a “Lockout/Tagout” feature.

Motor Starters - The motor starters are IEC rated.

Branch Circuit Protectors - The Branch circuit protectors are provided with a circuit breaker and a motor overload as an integral part of the unit.

Push Buttons - All push buttons are Heavy Duty dust tight/water tight design.

Standards - Built to UL-508 Industrial Standards. Electrical schematics and parts lists are supplied with the unit when the whole system is shipped. Can be CE certified upon request.