



Andela

AGB-1HD

AGB-1HD Glass Crusher

Efficient Size Reduction

Flexible Impact Hammers

Product Destruction

Glass Cullet Processing

**Commingled Container
Processing & Separation**

Models:

AGB-1: 10 TPH

*Reduces waste
Provides a cost effective remedy
for environmentally conscious
communities*

ANDELA PRODUCTS

493 State Route 28
Richfield Springs, NY 13439

Phone: (315) 858-0055
www.andelaproducts.com
info@andelaproducts.com



- The Andela AGB-1HD glass Crusher is capable of producing 10 TPH.
- The flexible impact hammers will liberate mixed glass residue and crush glass, ceramics and other breakable materials.
- Rugged and easy to maintain.
- Also available as a system. **(See Systems page)**

- **Simple to operate and maintain**
- **Low power requirements for significant size reduction**
- **Will process a mix of glass and other materials — selective size reduction**
- **Big machine features with a small machine price**
- **Heavy duty construction**



ANDELA BREAKER MODEL AGB-1HD

The Andela Breaker is ideally suited to many applications because of its durability, flexibility, and design. This equipment is unique in its ability to successfully process a broad range of items using a technology that selectively reduces certain material while leaving others whole.

MACHINE SPECIFICATIONS

Dimensions

Overall Depth	51”
Overall Width	79”
Overall Height	Variable
Hopper Input Opening.....	36” x 34”
Frame Construction	Welded Steel with ½” to 1” Thick Abrasion Resistant Steel Liner Plates
Heavy Duty Frame with Vibration Isolation	(6) Mechanical Spring Isolators

Drive Componentry

Motor Size	(1) 15 hp
Solid Steel Shaft Diameter	2.5”
Number of Hammers	16
Hammer Type.....	Heavy Duty Flailing Arm of Through Hardened Steel
Bearing Size	2.5” Heavy Duty

Safety and Maintenance Features

Protective Guards	Cover Input Drive Unit and Bearings
Access Door	Removable Panels for Hammer and Liner Maintenance

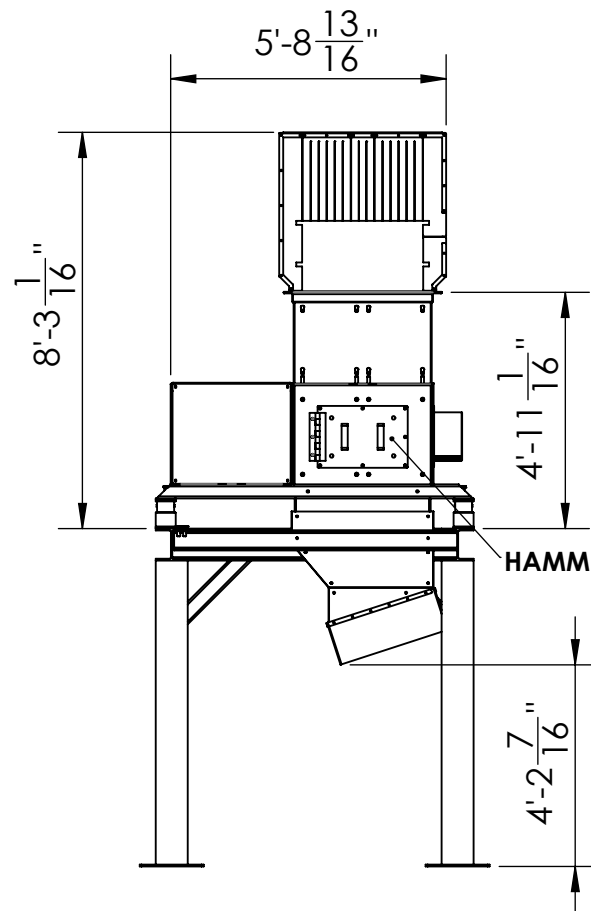
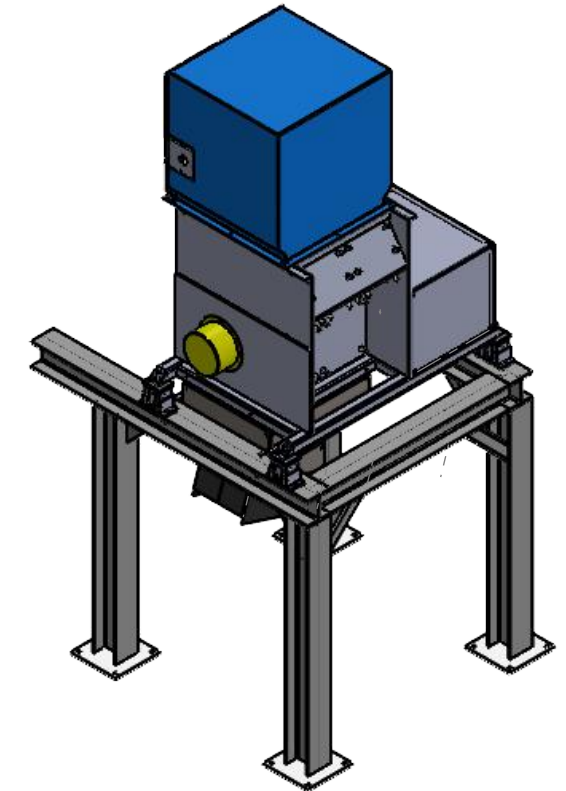
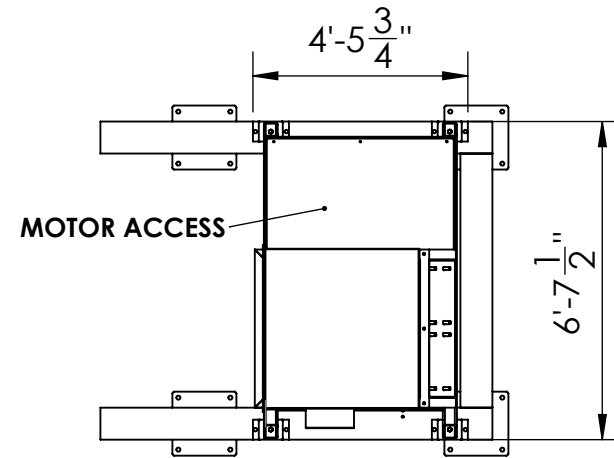
Electrical

Motor Voltage	230/460VAC, 60 HZ, 3 Phase
---------------------	----------------------------

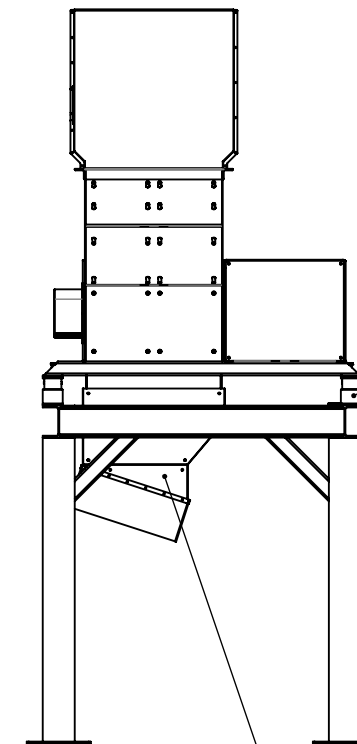
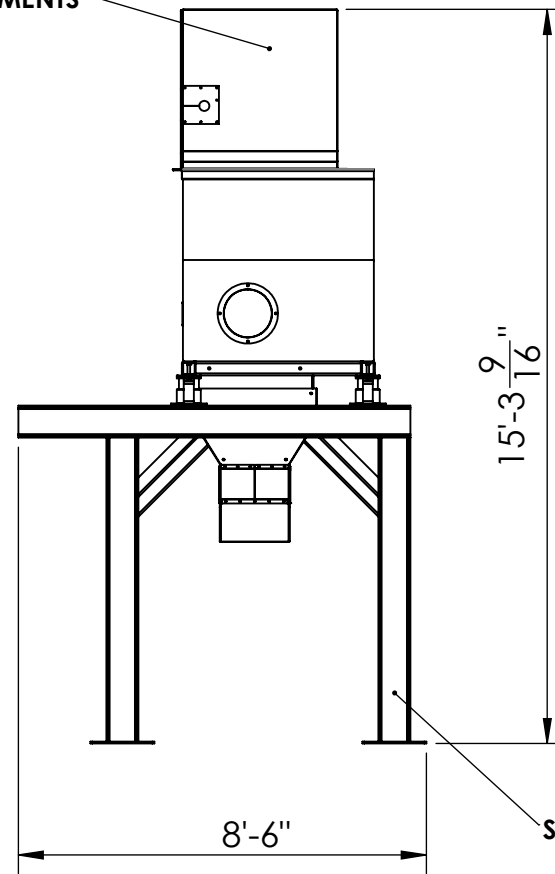
The manufacturer reserves the right to change designs
and specifications without notice.

NOTE:

- 1) ELECTRICAL IS 3 PHASE, 460v, 60 HZ
- 2) MOTOR 15HP
- 3) COLOR IS RAL-5015 BLUE, with RAL-1023 TRAFFIC YELLOW GUARDS
- 4) ALL DIMENSIONS ARE REFERENCE DIMENSIONS AND ARE SUBJECT TO CHANGE PER CUSTOMER SPECS.
- 5) APPROXIMATE WEIGHT: 4300 LBS.



INFEEED HOOD MADE TO CUSTOMER REQUIREMENTS



AGB1 BREAKER IS MOUNTED TO SUPPORT FRAME AT (4) LOCATIONS USING ANTI-VIBRATION MOUNTS

DISCHARGE CHUTE MADE TO CUSTOMER REQUIREMENTS



493 State Route 28
Richfield Springs, NY 13439
Tel: 315-858-0055
andelaproducts.com

DRAWN BY:
RJY
MODELED BY:
RJY
DATE
12/13/2022
CHECKED BY:
SCALE
1:48

AGB1
AGB1 on STAND

ANDELA PRODUCTS

REVISION	DATE	FILE NO

ALL EQUIPMENT PAINTED RAL-5015 SKY BLUE, ALL GUARDS AND RAILINGS PAINTED RAL-1023 TRAFFIC YELLOW, AND ALL PLATFORMS PAINTED RAL-9017 TRAFFIC BLACK, UNLESS OTHERWISE NOTED.

AGB1

SHEET 1 OF 1