



# Andela

## AWS-2

### LAMINATED GLASS SEPARATOR

**Efficient Size Reduction**

**Flexible Impact Hammers**

**Stand Alone, or Part of a  
Larger System**

**Laminated Glass Processing**

**Produces Reduced Glass and  
Laminate Combination**

**Provides a cost effective  
remedy for environmentally  
conscious communities**

#### **ANDELA PRODUCTS**

493 State Route 28

Richfield Springs, NY 13439

Phone: (315) 858-0055

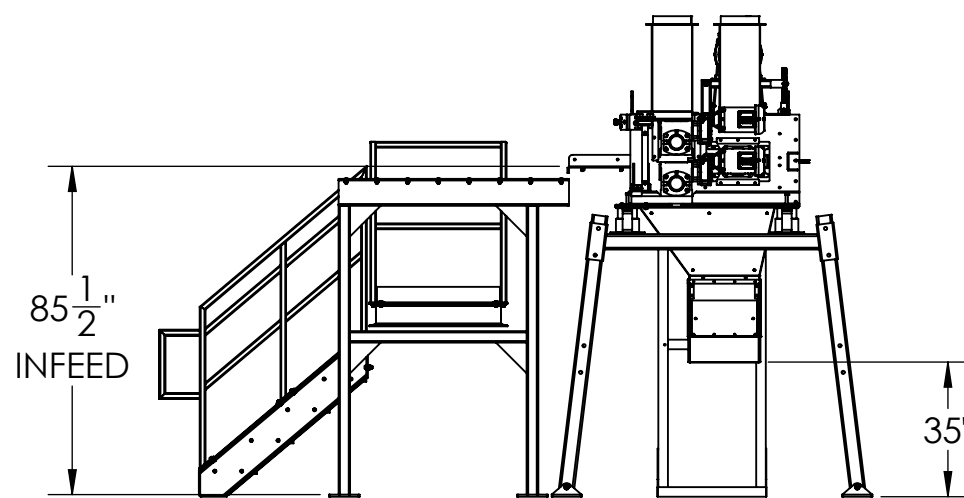
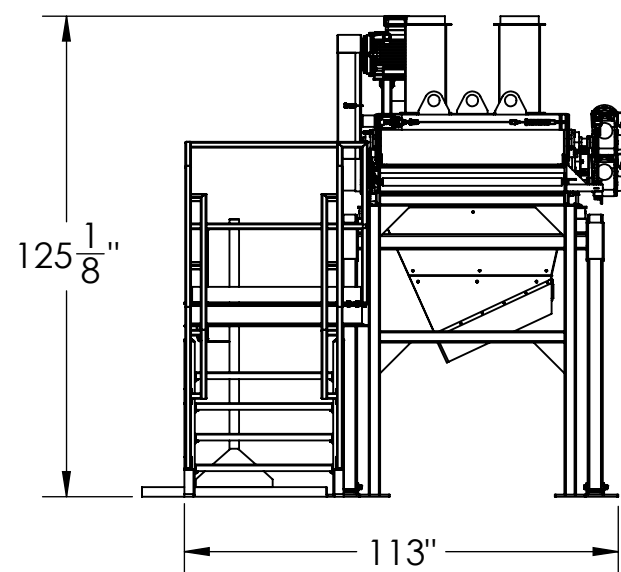
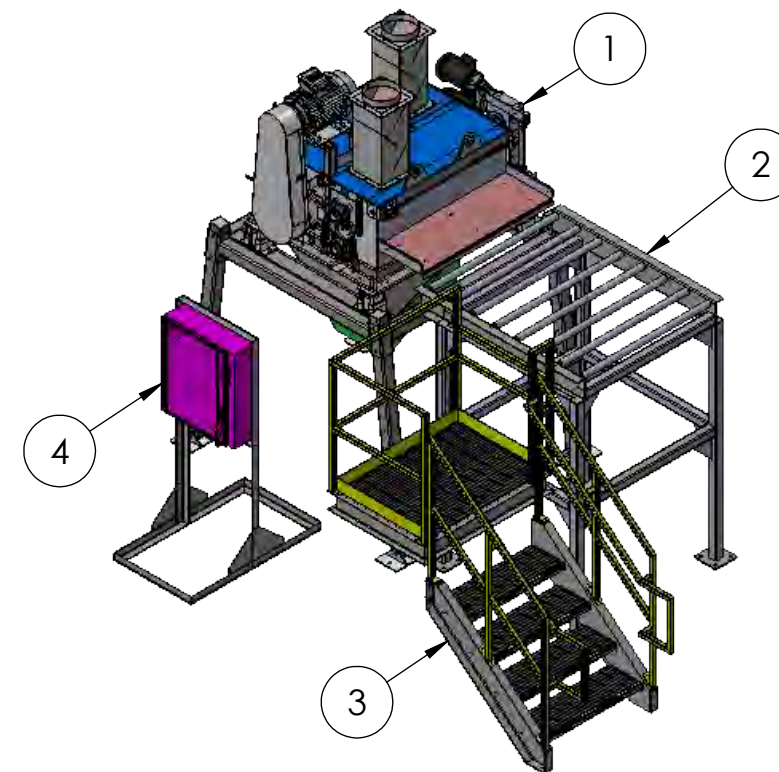
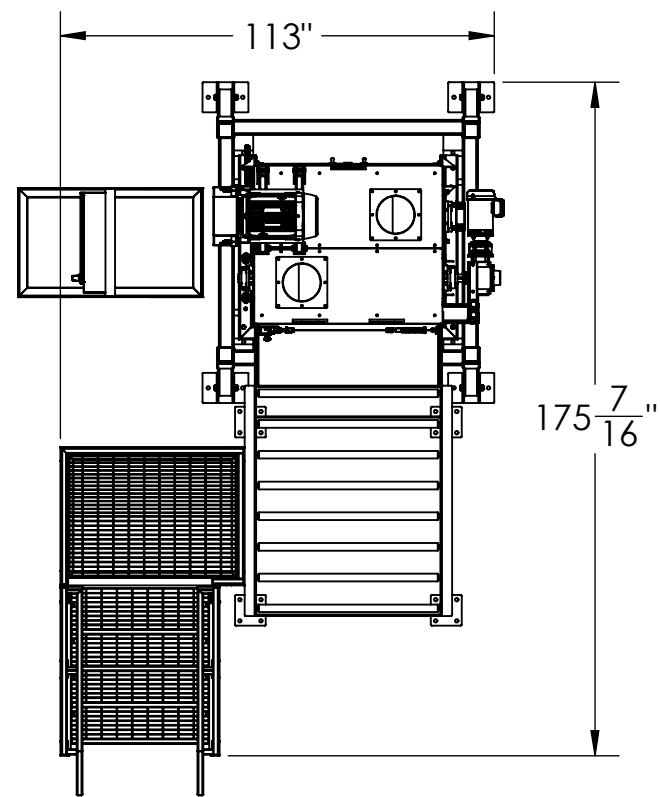
[www.andelaproducts.com](http://www.andelaproducts.com)



- Andela's Laminated Glass Separator is simple to operate and maintain. A great machine for separating glass from laminate while reducing the glass into sand.
- Small footprint, heavy duty construction, easy to maintain all while being durable and efficient.
- Also available as complete system.

- Simple to operate and maintain
- Separates glass from laminates to be screened into different recyclable products
- Removes glass from EVA and PVB laminate and reduces glass size
- Processes laminated units every 10 to 15 seconds
- Windshields, every 6 seconds
- 4 to 6 Tons/hour





**NOTES:**

1) SPECIFY ELECTRICAL REQUIREMENTS FOR SYSTEM:

PHASE \_\_\_\_\_-FREQUENCY \_\_\_\_\_-VOLTAGE \_\_\_\_\_

**APPROVAL**

BY: (PRINT) \_\_\_\_\_

BY: (SIGN) \_\_\_\_\_

DATE: \_\_\_\_\_

**THIS DRAWING IS INTENDED FOR PROPOSAL PURPOSES ONLY AND ALL DIMENSIONS ARE FOR REFERENCE ONLY, ACTUAL DESIGNS, DIMENSIONS, AND DETAILS MAY VARY AFTER DETAILING AND FINALIZATION**

ITEM	PART-ITEM NO.	DESCRIPTION	H.P.
1	AWS-2	Laminated Glass Separator	1@20/2@1.5 HP
2	ROLL TABLE	Roll Table	n/a
3	PICK-1	Picking Station-One Person	n/a
4	ELEC	Electrical Enclosure, Controls, and Disconnect	n/a



493 State Route 28  
Richfield Springs, NY 13439

Tel: 315-858-0055  
andelaproducts.com

DRAWN BY:  
MODELED BY:  
DATE  
7/17/2025  
CHECKED BY:  
SCALE  
1:50

AWS-2  
Laminated Glass Separator

ANDELA PRODUCTS

ALL EQUIPMENT PAINTED RAL-5015 SKY BLUE,  
ALL GUARDS AND RAILINGS PAINTED RAL-  
1023 TRAFFIC YELLOW, AND ALL PLATFORMS  
PAINTED RAL-9017 TRAFFIC BLACK, UNLESS  
OTHERWISE NOTED.

AWS-2

SHEET 1 OF 1

