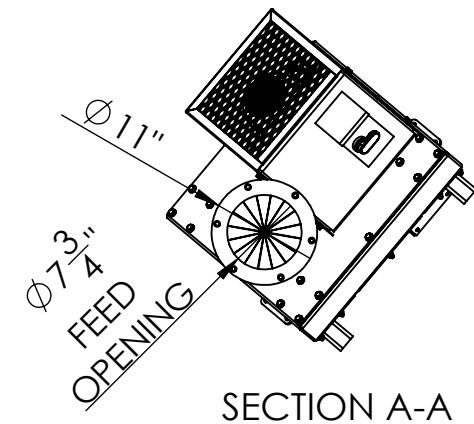
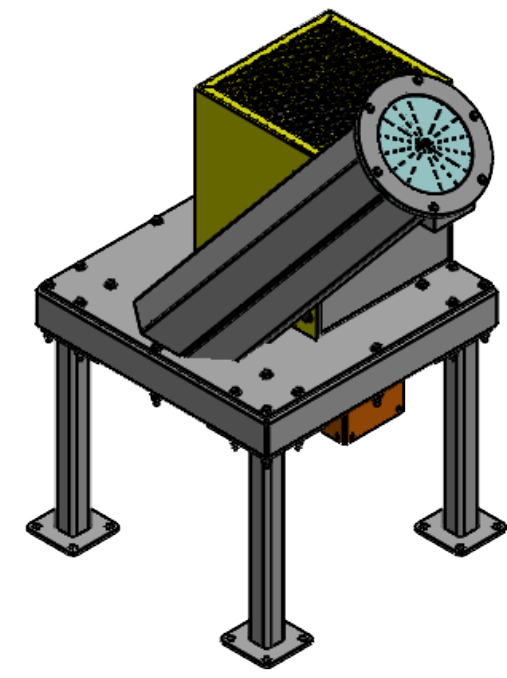
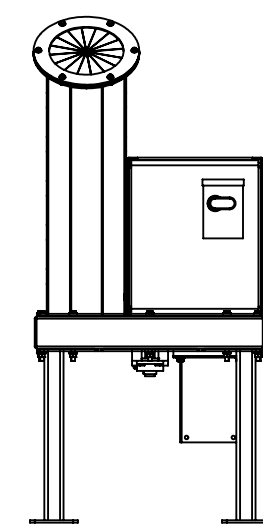
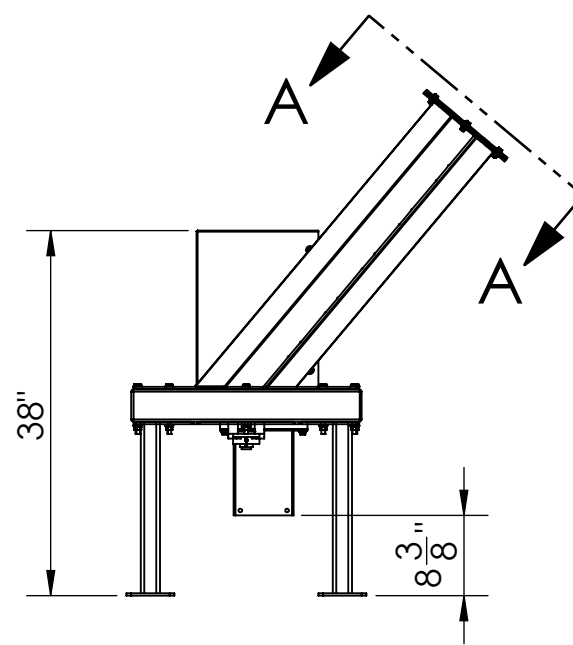
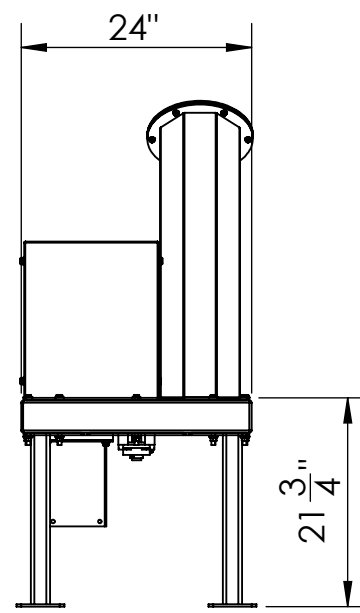
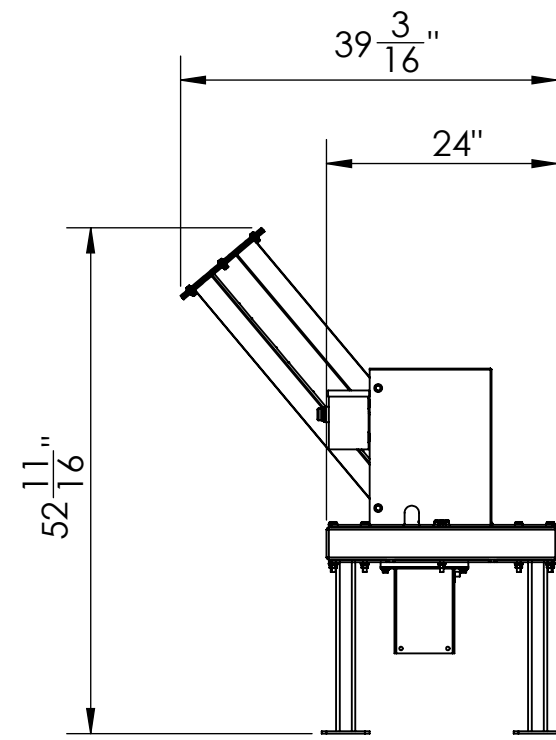
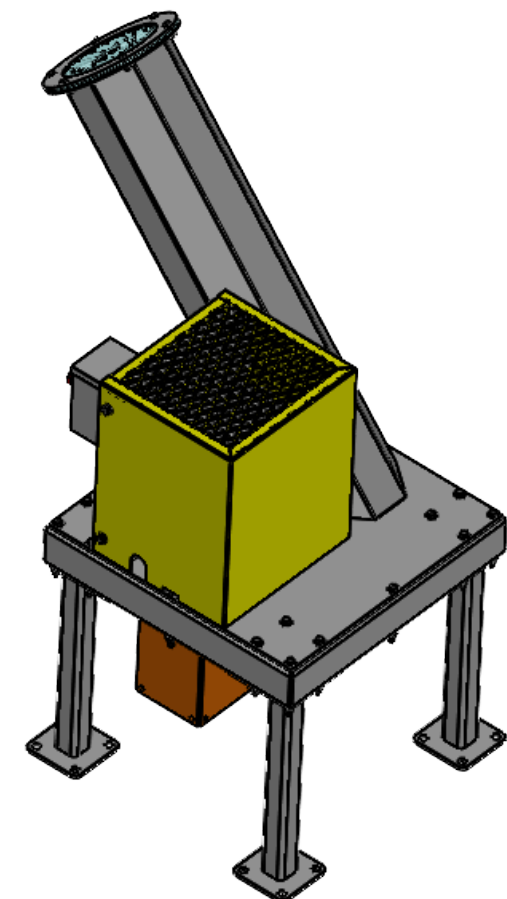


BOTTOM VIEW



SECTION A-A



493 State Route 28
Richfield Springs, NY 13439
Tel: 315-858-0055
andelaproducts.com

DRAWN BY:
JEA
MODELED BY:
JEA
DATE:
2/10/2023
CHECKED BY:
SCALE:
1:20

GR8
GR8 BOTTLE BREAKER

ANDELA PRODUCTS

REVISION	DATE	FILE NO

ALL EQUIPMENT PAINTED RAL-5015 SKY BLUE, ALL GUARDS AND RAILINGS PAINTED RAL-1023 TRAFFIC YELLOW, AND ALL PLATFORMS PAINTED RAL-9017 TRAFFIC BLACK, UNLESS OTHERWISE NOTED.

GR8
SHEET 1 OF 1