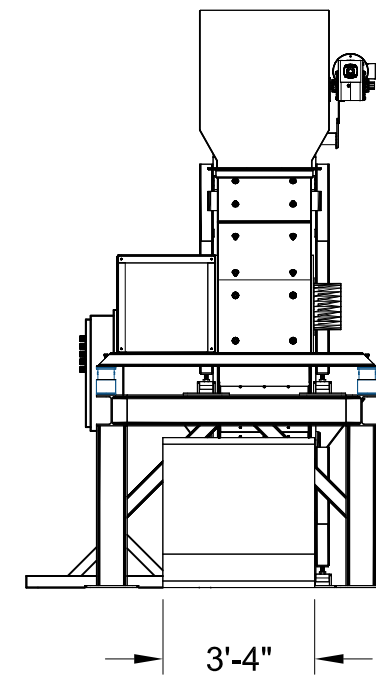
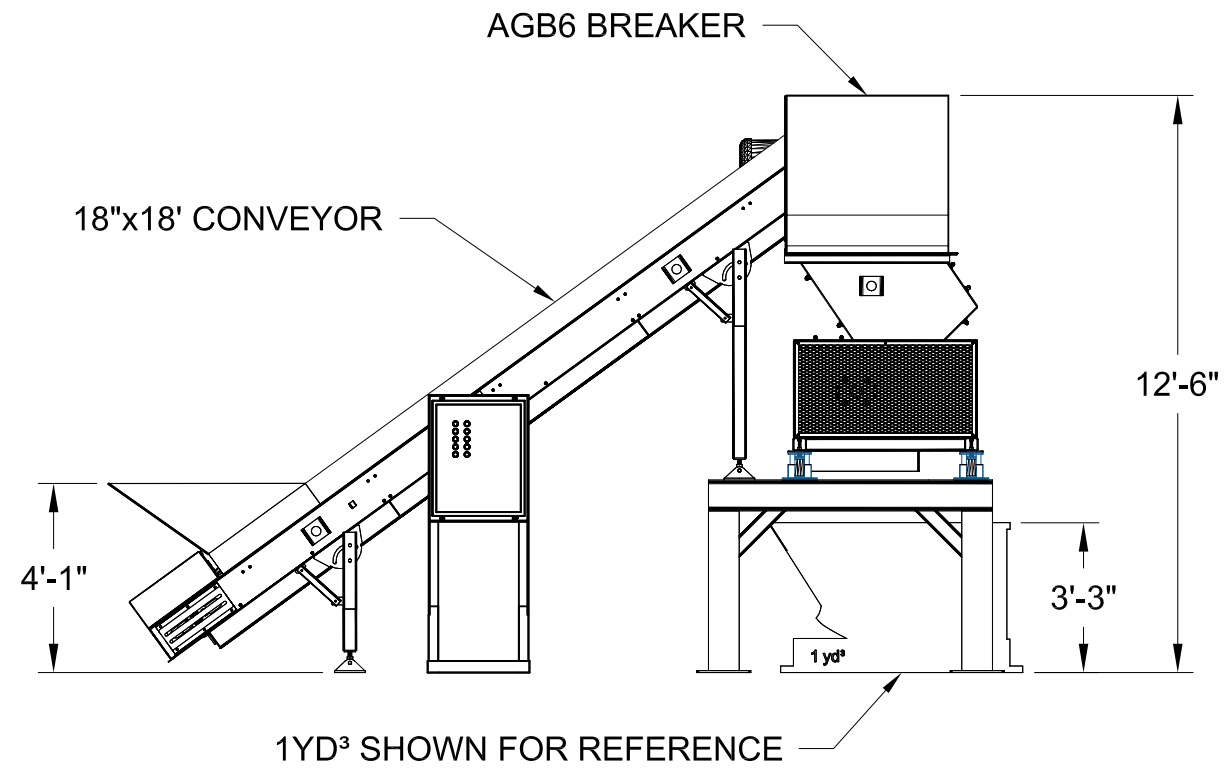
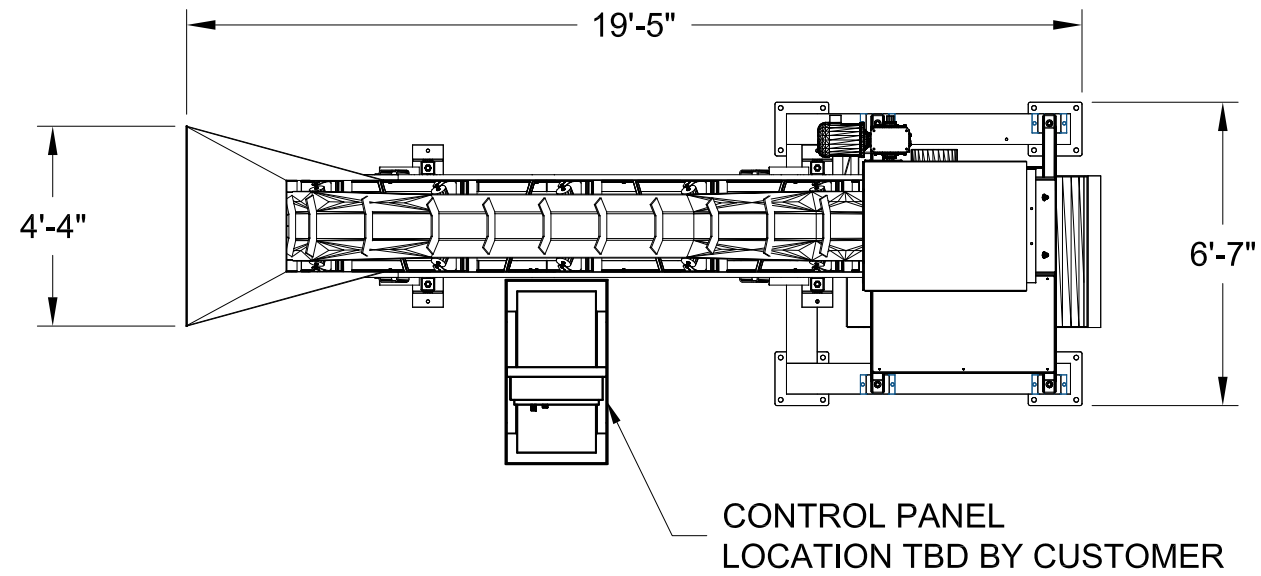
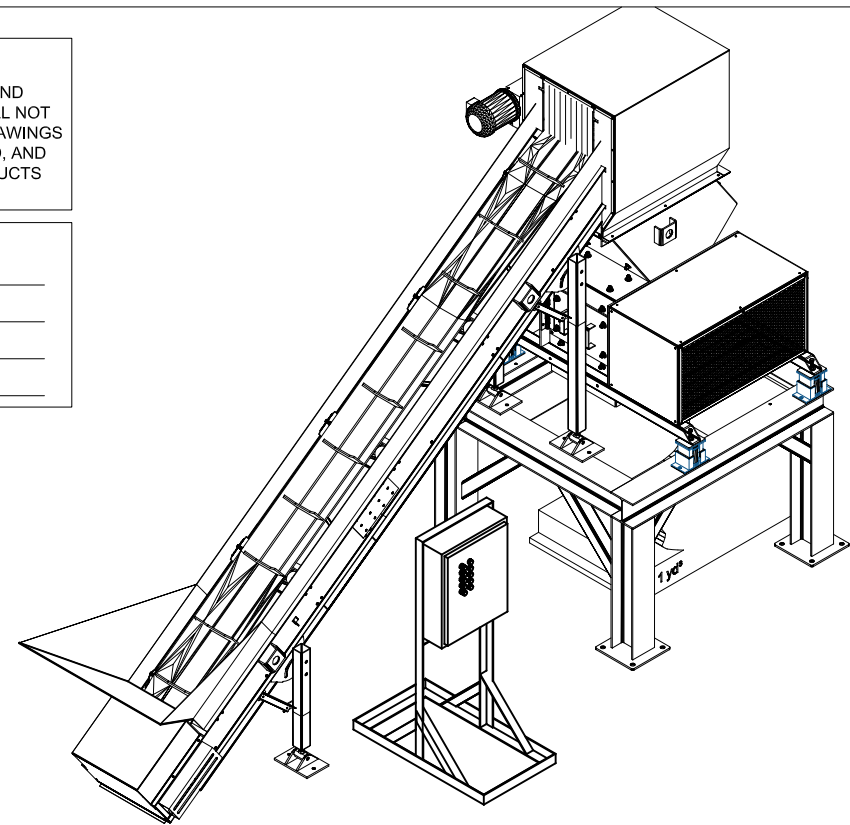


ITEM	DESCRIPTION	MOTOR QTY.	MOTOR SIZE
1	INFEED CONVEYOR	2 HP	2 HP
2	AGB6 BREAKER	2 HP	7.5 HP

NOTES:
 1) SPECIFY ELECTRICAL REQUIREMENTS FOR SYSTEM:
 PHASE : _____ INITIALS: _____
 VOLTAGE : _____ INITIALS: _____
 FREQUENCY : _____ Hz INITIALS: _____
 2) ALL DIMENSIONS ARE REFERENCE DIMENSIONS AND
 MAY VARY PER CUSTOMERS SPECIFICATIONS

NOTE
 DETAILING, PRODUCTION, AND
 COMPONENT PURCHASING WILL NOT
 BEGIN UNTIL ONE (1) SET OF DRAWINGS
 HAS BEEN APPROVED, SIGNED, AND
 RETURNED TO ANDELA PRODUCTS

APPROVAL
 BY (PRINT) _____
 BY (SIGN) _____
 DATE _____
 AS NOTED. _____



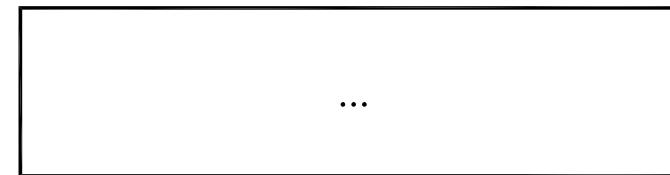
493 State Route 28
 Richfield Springs, NY 13439
 tel: 315-858-0055
 fax: 315-858-2669

DRAWN
 VTB
 DATE
 8/9/16
 CHECKED

 DATE

 SCALE
 1:40

AGB6 SYSTEM LAYOUT



REVISION	DATE

FILE NO
 SYS-03
 SHEET 1 OF 1