



Andela

GR-8

Glass Bottle Crusher

Quiet and simple

Accepts 8" dia. bottles

1/2 HP

220V single phase

**Volume reduction reduces
cost of handling/shipping**

**Durable construction to
handle abrasive glass**

Environmentally friendly

Reduces waste

*Provides cost effective remedy
for environmentally conscious
communities*

ANDELA PRODUCTS

493 State Route 28
Richfield Springs, NY 13439

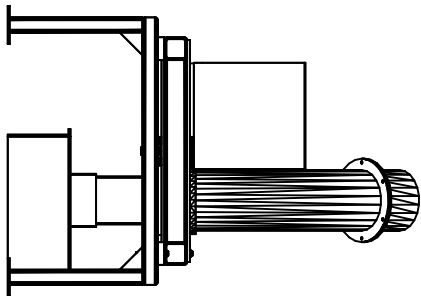
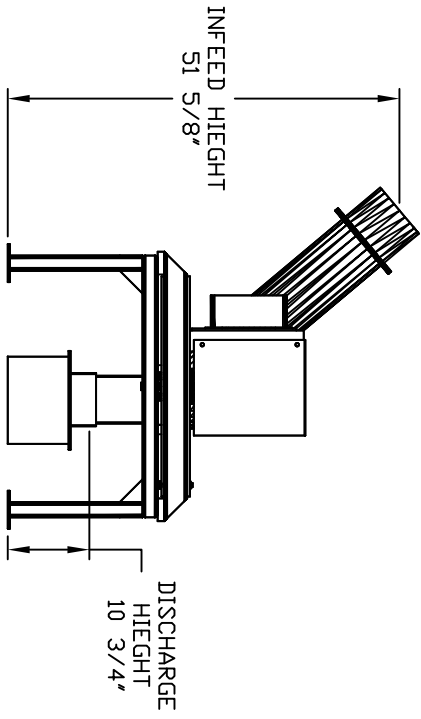
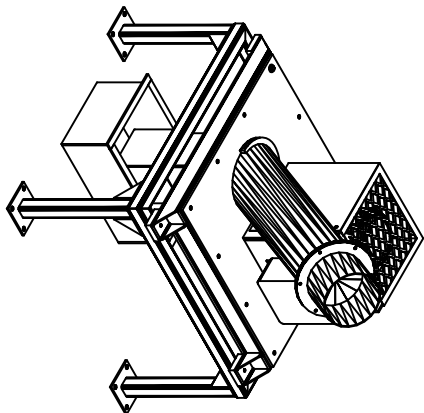
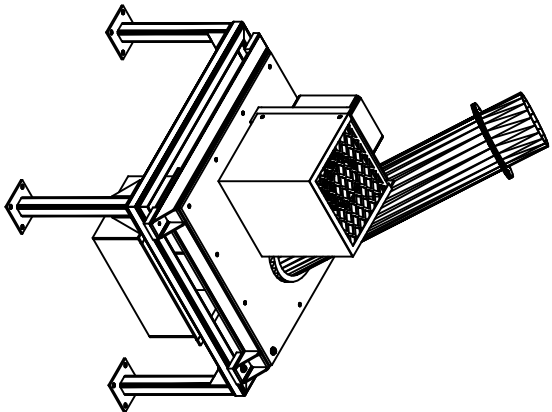
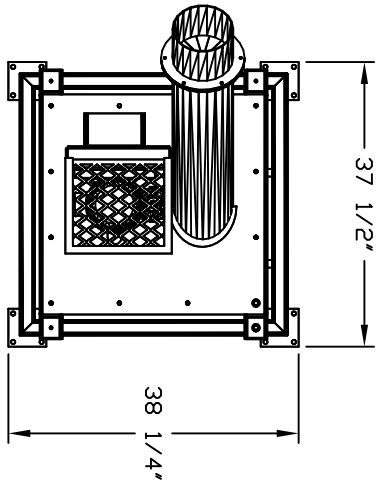
(315) 858-0055

**www.andelaproducts.com
info@andelaproducts.com**



- Industrial bottle crusher; up to 60 bottles/min & up to 8 inches in diameter.
- Heavy duty chromium carbide wear parts and sealed bearings for durability.
- Patented flexible hammers prevent clogging.
- No need to remove caps/corks.
- Compact design.
- Up to 80% volume reduction.

- Quiet Operation
- Simple to use and maintain
- Reasonably priced
- Industrial duty design and construction
- Reduces wine and liquor bottles with ease
- Shipped complete and ready for operation



NOTE:
 1) ELECTRICAL IS SINGLE PHASE, 115/208-230V.
 2) 1/2 HP MOTOR
 3) COLOR IS RAL-5015 BLUE WITH SAFETY YELLOW GUARDS.



493 State Route 28
 Richfield Springs, NY 13439
 Tel: 315-858-0055
 Fax: 315-858-2609

ISSUE	DATE
NO. 1	10/29/11
DATE	SIZE
1118	1118

ANDELA SYSTEM EQUIPMENT

GR-8

REVISION	DATE

FILE NO.
 MACH-00
 SHEET 1 OF 1

ANDELA BOTTLE CRUSHER MODEL GR-8

MACHINE SPECIFICATIONS

Dimensions

Overall Length	37"
Overall Width	38"
Overall Height	52"
Hopper Input Opening	8" Diameter
Frame Construction	Welded Steel with Abrasion Resistant CC Steel Liners
Heavy Duty Frame with Vibration Isolation	(4) vibration isolators

Drive Componentry

Motor Size	(1) 1/2 HP
Solid Steel Shaft Diameter	1"
Number of Hammers	4
Hammer Type	Heavy Duty Flexible Arm - AR Steel
Bearing Size	1"

Safety Features

Protective Guards	Cover Input Drive Unit and Bearings
-------------------------	-------------------------------------

Electrical

Motor Voltage	115/208-230V, Single Phase
---------------------	----------------------------

The manufacturer reserves the right to change designs
and specifications without notice.