

NOTES:

1) SPECIFY ELECTRICAL REQUIREMENTS FOR SYSTEM:

PHASE : _____ INITIALS: _____
 VOLTAGE : _____ INITIALS: _____
 FREQUENCY : _____ Hz INITIALS: _____

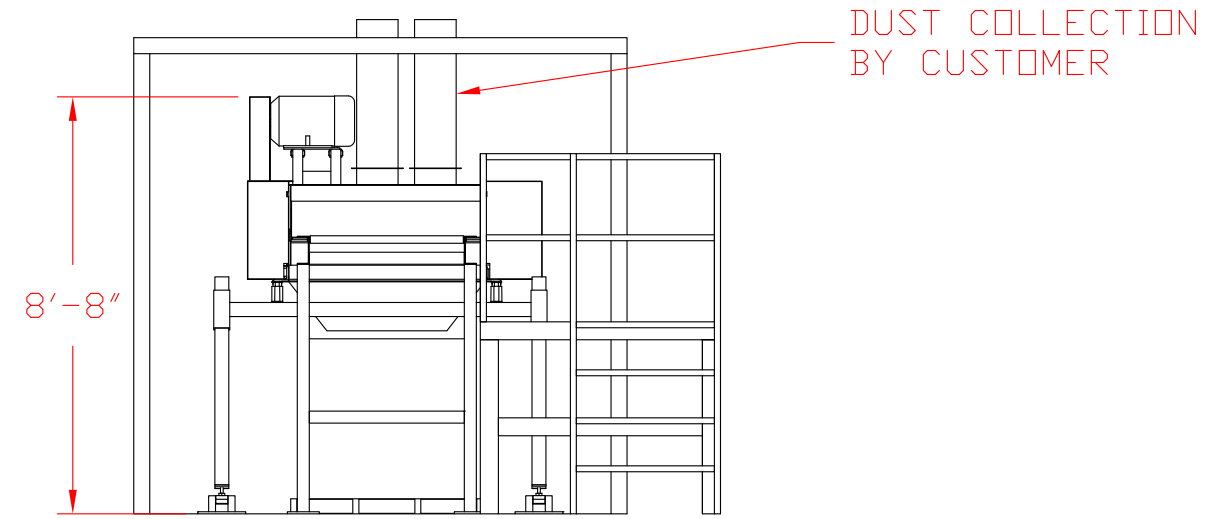
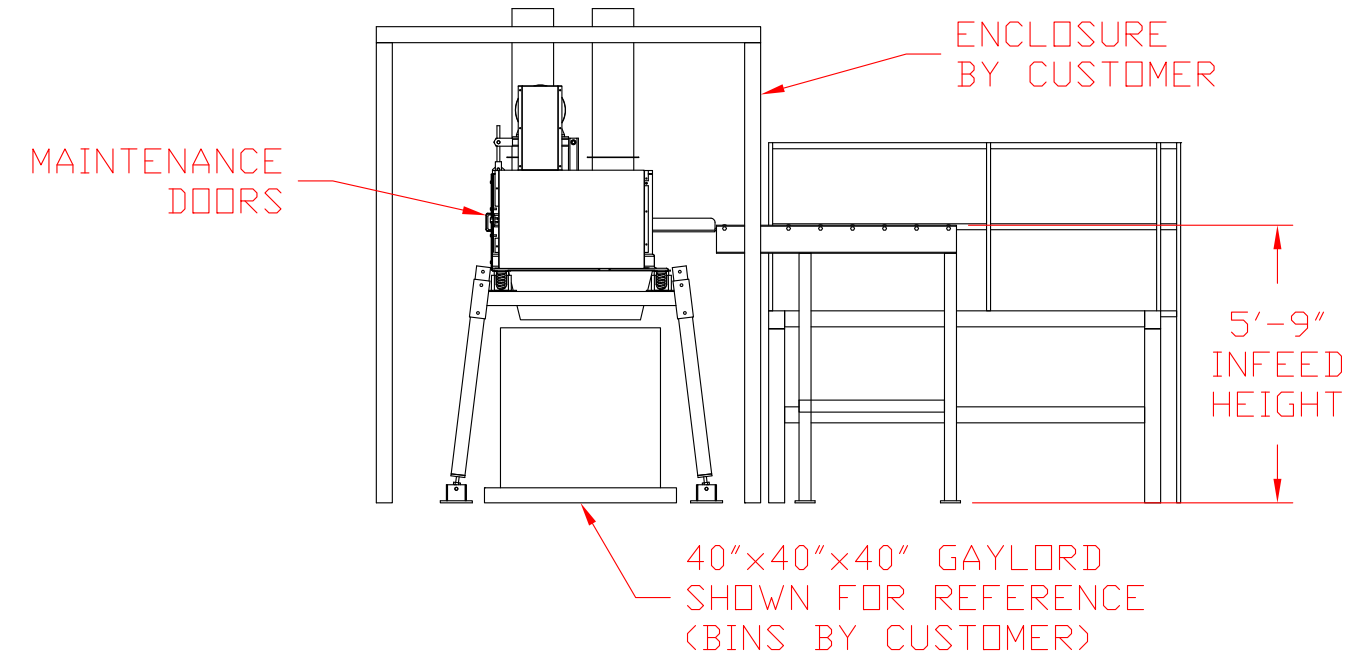
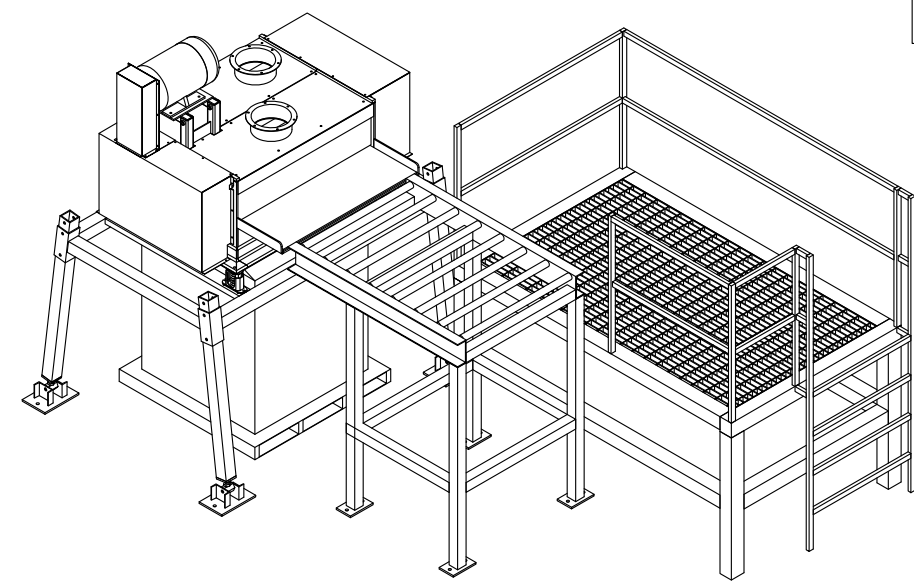
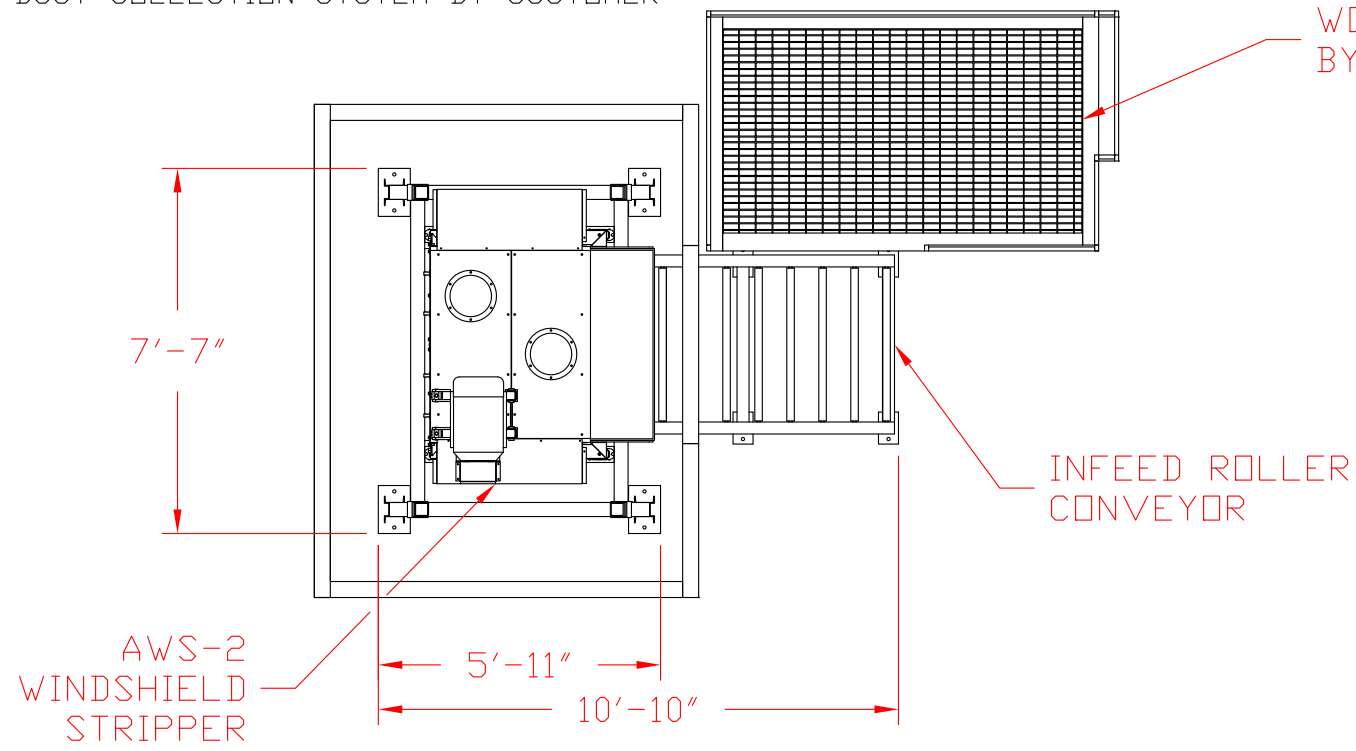
2) ALL DIMENSIONS ARE REFERENCE DIMENSIONS AND MAY VARY PER CUSTOMERS SPECIFICATIONS

3) DUST COLLECTION SYSTEM BY CUSTOMER

ITEM	DESCRIPTION	MOTOR QTY.	MOTOR SIZE
1	AWS-2	1	20 HP
		2	2 HP

NOTE
 DETAILING, PRODUCTION, AND COMPONENT PURCHASING WILL NOT BEGIN UNTIL ONE (1) SET OF DRAWINGS HAS BEEN APPROVED, SIGNED, AND RETURNED TO ANDELA PRODUCTS

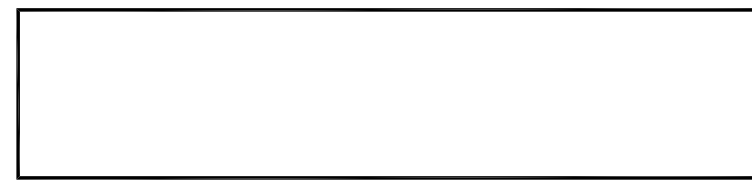
APPROVAL
 BY <PRINT> _____
 BY <SIGN> _____
 DATE _____
 AS NOTED. _____



493 State Route 28
 Richfield Springs, NY 13439
 tel: 315-858-0055
 fax: 315-858-2669

DRAWN
 VTB
 DATE
 10/05/15
 CHECKED
 DATE
 SCALE
 1"=4'

AWS-2 LAYOUT



REVISION	DATE

FILE NO
 PROP-114
 SHEET 1 OF 1