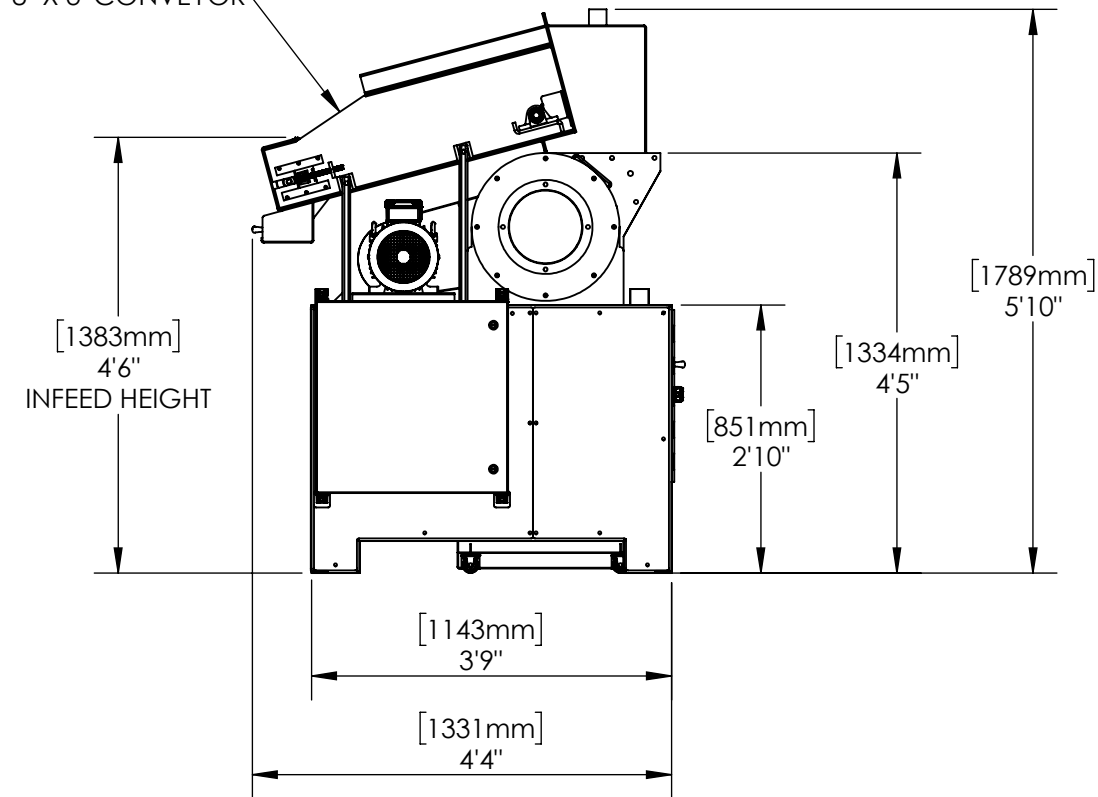


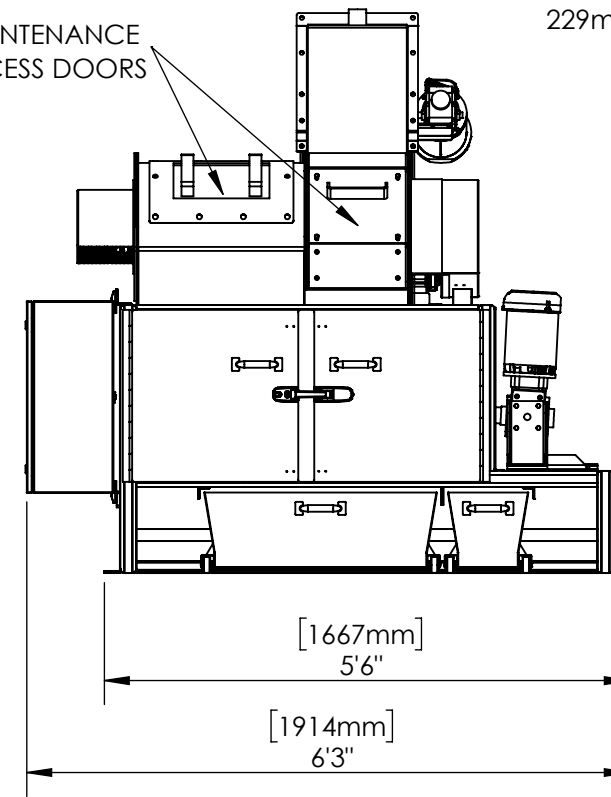
737mm X 559mm X 254mm
29" X 22" X 10"
GLASS BIN

229mm X 559mm X 254mm
9" X 22" X 10"
WASTE BIN

8" X 3' CONVEYOR



MAINTENANCE ACCESS DOORS



ITEM	HP
TROMMEL	1/2 HP
PULVERIZER	5 HP
CONVEYOR	1/4 HP



493 State Route 28
Richfield Springs, NY 13439
Tel: 315-858-0055
Fax: 315-858-2669
andelaproducts.com

DRAWN
DATE 4/6/2021
CHECKED
DATE
SCALE 1:24

GP-MINI
GLASS PULVERIZER

ANDELA PRODUCTS

REVISION	DATE	FILE NO

GP-MINI
SHEET 1 OF 1